



**RGM REGULATOR GAS MANIFOLD  
2400 SERIES (INDUSTIAL)**

MODEL NO.	CONN. SIZE	Inlet Pressure		
		15 psig	10 psig	5 psig
		(scfh)		
2410	1 NPT	3,150	2,510	1,500
2415	1-1/2 NPT	10,800	8,990	6,200
2420	2 NPT	19,300	16,400	11,800
2430	3 NPT	38,200	32,300	23,300
2440	4" FLG	63,400	54,300	38,600

NOTES:

1. 2000 Series RGM's used in conjunction with PGM's meet NFPA requirements for single burner or unison light-off multiple burner industrial applications.
2. Flange connections are ANSI 125lb rated flanges.
3. Maximum inlet pressure is **15 psig**. Consult Hauck for higher inlet pressure options.
4. Flow based on natural gas with 0.59 s.g., 60°F, **inlet pressure as specified, and nominal 2 psig outlet pressure** from the RGM; consult Hauck for different application conditions.
5. To calculate Btu/hr throughput, multiply natural gas flow in scfh by actual higher heating value (HHV) in Btu/ft<sup>3</sup>.

(See Reverse Side for Metric Capacities)

In accordance with Hauck's commitment to Total Quality Improvement, Hauck reserves the right to change the specifications of products without prior notice.

## METRIC CAPACITIES

### RGM REGULATOR GAS MANIFOLD 2400 SERIES (INDUSTIAL)

MODEL NO.	CONN. SIZE	Inlet Pressure		
		100 kPa	69 kPa	34 kPa
		(nm <sup>3</sup> /hr)		
2410	1 NPT	84	67	40
2415	1-1/2 NPT	289	241	166
2420	2 NPT	517	439	316
2430	3 NPT	1,020	865	624
2440	4" FLG	1,700	1,450	1,030

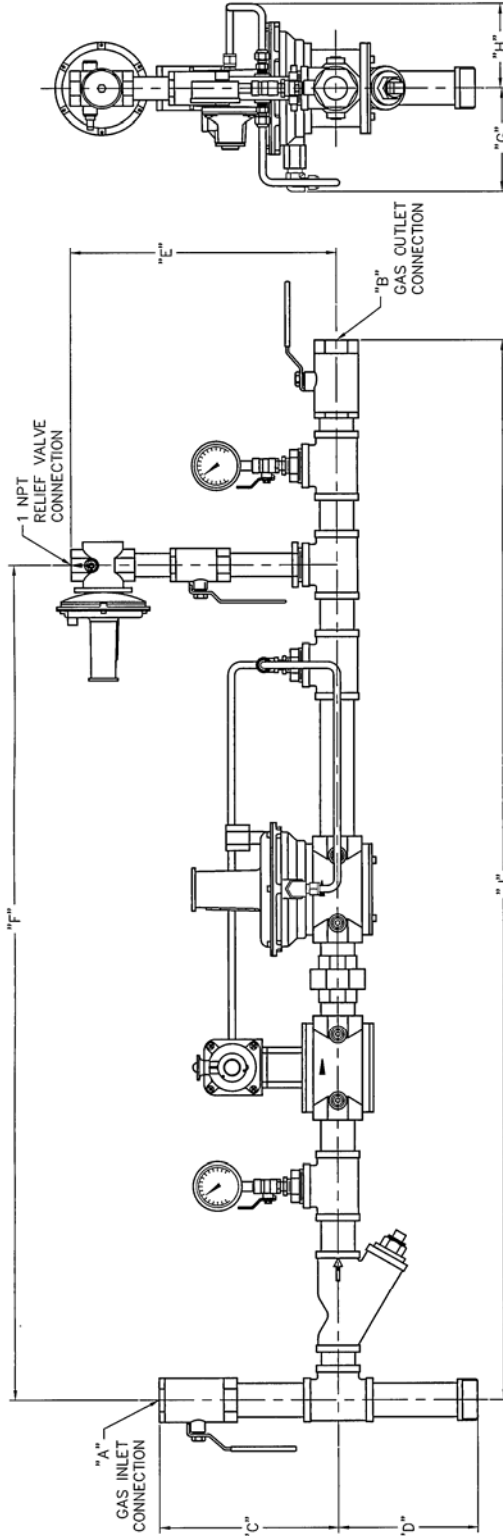
**NOTES:**

1. 2000 Series RGM's used in conjunction with PGM's meet NFPA requirements for single burner or unison light-off multiple burner industrial applications.
2. Flange connections are ANSI 125lb rated flanges.
3. Maximum inlet pressure is **100 kPa**. Consult Hauck for higher inlet pressure options.
4. Flow based on natural gas with 0.59 s.g., 0°C, **inlet pressure as specified, and nominal 13.8 kPa outlet pressure** from the RGM; consult Hauck for different application conditions.
5. To calculate kW throughput, multiply natural gas flow in nm<sup>3</sup>/hr by actual lower heating value (LHV) in MJ/nm<sup>3</sup>, then multiply by 0.278 kW·hr / MJ.



# DIMENSIONS

## RGM REGULATOR GAS MANIFOLD 2400 SERIES (INDUSTIAL)



### DIMENSIONS

MODEL NO.	A	B	C	D	E	F	G	H	J
RGM2410	1 NPT	1 NPT	8 3/8	5 3/4	13 15/16	36 5/16	3 3/4	4 5/8	47 3/16
RGM2415	1 1/2 NPT	1 1/2 NPT	10 1/16	7 13/16	14 15/16	47 1/8	5 5/16	4 3/4	59 13/16
RGM2420	2 NPT	2 NPT	10 7/16	10 1/8	15 1/4	57 15/16	6 3/8	5 3/4	72 3/8
RGM2430	3 NPT	3 NPT	13 7/16	14 1/8	15 15/16	78 3/4	7 7/16	7	105 13/16
RGM2440	4 ANSI	4 ANSI	18 13/16	19 3/16	16	83 5/8	8 9/16	10	109 1/4

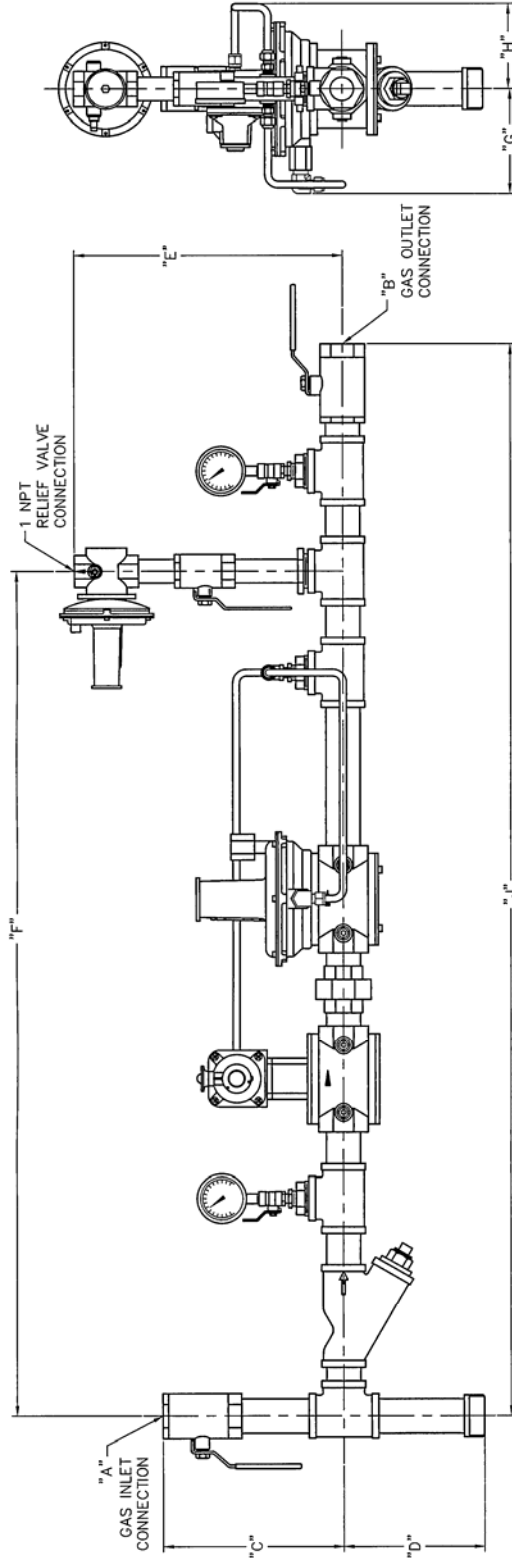
Y8335  
(NOT TO SCALE)

(See Reverse Side for Metric Dimensions)

In accordance with Hauck's commitment to Total Quality Improvement, Hauck reserves the right to change the specifications of products without prior notice.

# METRIC DIMENSIONS

## RGM REGULATOR GAS MANIFOLD 2400 SERIES (INDUSTIAL)



D I M E N S I O N S

MODEL NO.	A	B	C	D	E	F	G	H	J
RGM2410	1 NPT	1 NPT	213	146	354	922	95	117	1199
RGM2415	1 1/2 NPT	1 1/2 NPT	256	198	379	1197	135	121	1519
RGM2420	2 NPT	2 NPT	265	257	387	1472	162	146	1838
RGM2430	3 NPT	3 NPT	341	359	405	2000	189	178	2688
RGM2440	4 ANSI	4 ANSI	478	487	406	2124	217	254	2775

Y8335 METRIC  
(NOT TO SCALE)